

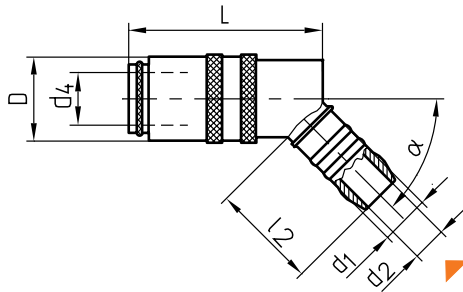
Z801/.../45

Mat.: 2.0401

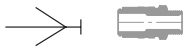


► Info

Z81/...
Z83/...
Z831/...
Z90/...



Z85/...
Z851/...
Z853/...
Z854/...



p [bar]	max. °C	L	l ₂	D	d ₂	d ₁ /d ₄	α	Nr./No.
10	Viton®/200	41	28	17	6	9	45°	Z801/ 9/45
15		51		22	9	13		13/45
20		78	34	31	13	19		19/45

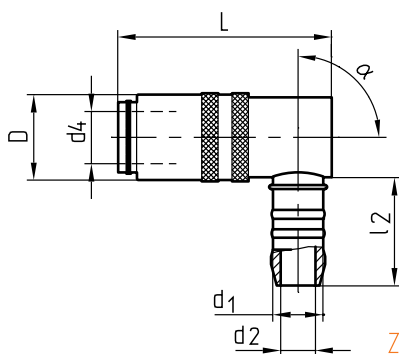
Z801/.../90

Mat.: 2.0401

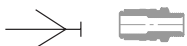


► Info

Z81/...
Z83/...
Z831/...
Z90/...



Z85/...
Z851/...
Z853/...
Z854/...



p [bar]	max. °C	L	l ₂	D	d ₂	d ₁ /d ₄	α	Nr./No.
10	Viton®/200	41	24	17	6	9	90°	Z801/ 9/90
15		51	28	22	9	13		13/90
20		78	34	31	13	19		19/90

This is trial version
www.adultpdf.com